

## 5.1 PARTS LIST (ACS 250)

This section contains a parts breakdown covering all the major components which may require maintenance during operation of the AFTERCOOLER SYSTEM. The major items identified in the parts list are found on the drawings on page #5-7 or #5-8. Refer to these drawings as needed while reading this manual. In addition, repair kits to rebuild these items are identified, and drawings are provided to aid in disassembly and installation of new parts (if applicable).

### AFTERCOOLER SYSTEM 250 CFM (PART NUMBER 1300-021 / 1300-022)

<u>ITEM</u>	<u>PART NUMBER</u>	<u>DESCRIPTION</u>
1.	3029-007-99	Nipple, 1 1/4" x close
2.	3000-007	90° Elbow, 1 1/4"
3.	3029-007-10	Nipple, 1 1/4" x 2-1/2"
4.	2302-207-50	Air Filter, 1 1/4" 50 micron
	2401-507	Ball Valve, 1-1/4" full port
	3029-007-11	Nipple TBE, 1-1/4" x 3"
	4211-107	Crowfoot, 4-Lug 1-1/4" FNPT
5.	---	---
6.	---	Air filter drain petcock
7.	1300-020-02	Aftercooler radiator, 250 cfm
8.	1300-020-03	Air motor
	1300-020-99	Air motor kit
	1300-020-12	Fan assembly
	1300-020-13	Fan guard
	1300-020-15	Fan shroud
	1300-020-09	Electric Motor, 115V/208-230V
	1300-020-11	Electric Motor, 208-230V/460V
9.	2011-004-01	Muffler, 1/2"
10.	2401-504	Ball valve, 1/2" full port
11.	2302-204-50	Air filter, 1/2" 40 micron
	2302-204-99	Repair kit, 1/2" air filter
12.	2003-004	Air regulator, 1/2" relieving
	2003-004-99	Repair kit, 1/2" air regulator
13.	2304-004	Air lubricator, 1/2"
	2304-004-99	Repair kit, 1/2" air lubricator
14.	2010-007	Pressure gauge 0-100 psi
15.	1300-020-01	250 Aftercooler vessel
16.	---	---
17.	---	---
18.	3006-104	90° Street elbow, 1/2"
19.	3029-104-11	Nipple, 1/2" x 3"
20.	2401-504	Ball valve, 1/2" full port
21.	4203-504-04	90° Swivel, 1/2" male x 1/2" female
22.	3031-304-04	Hex nipple, 1/2" x 1/2"
23.	4200-304-04	Push-on hose insert, 1/2" x 1/2"
24.	4101-004-01	Hose, push-on 1/2"
25.	3014-007	Plug, 1-1/4"
26.	---	---
27.	4203-504-04	90° Swivel, 1/2" male x 1/2" female
28.	7010-503-06	Hex bolt, 1/4" UNC x 1" lg.
	7027-502-01	Flat washer, 1/4"
	7019-503	Nylock nut, 1/4" UNC
29.	4203-504-04	90° Swivel, 1/2" male x 1/2" female
30.	3029-007-11	Nipple, 1 1/4" x 3"
31.	3000-007	90° Elbow, 1 1/4"
32.	9008-007	Pipe TBE, 1 1/4" x 26 1/2"
33.	3030-007-11	Nipple TOE, 1 1/4" x 3"
34.	3057-007	90° Compression Elbow, 1 1/4"
35.	9008-007	Pipe TOE, 1 1/4" x 3 1/2"
	3000-007	90° Elbow, 1 1/4"
36.	3014-004	Plug, 1/2"
37.	7135-021	Motor starter, 115-230 volt
	7135-008	Motor starter, 208-460 volt
38.	4200-304-04	Push-on hose insert, 1/2" x 1/2"
	4101-004-01	Hose, push-on 1/2"
39.	4203-504-04	90° Swivel, 1/2" male x 1/2" female

## 5.2 PARTS LIST (ACS 400)

This section contains a parts breakdown covering all the major components which may require maintenance during operation of the AFTERCOOLER SYSTEM. The major items identified in the parts list are found on the drawings on page #5-7 or #5-8. Refer to these drawings as needed while reading this manual. In addition, repair kits to rebuild these items are identified, and drawings are provided to aid in disassembly and installation of new parts (if applicable).

### AFTERCOOLER SYSTEM 400 CFM (PART NUMBER 1300-041 / 1300-042)

<u>ITEM</u>	<u>PART NUMBER</u>	<u>DESCRIPTION</u>
1.	3029-009-99	Nipple, 2" x close
2.	7003-009	Flange, threaded 150 psi 2"
3.	7003-009-01	Flange gasket, 2"
	7003-009-02	Stud w/ nuts, 5/8" x 3-1/4"
4.	1200-999-38	Moisture trap, 400 inlet
5.	3031-312-02	Hex nipple, 1/4" x 1/4"
6.	2401-502	Ball valve, 1/4" full port
7.	1300-040-02	Aftercooler radiator, 400 cfm
8.	1300-040-03	Air motor
	1300-040-99	Air motor kit
	1300-040-12	Fan assembly
	1300-040-13	Fan guard
	1300-040-15	Fan shroud
	1300-040-09	Electric Motor, 115V/208-230V
	1300-040-11	Electric Motor, 208-230V/460V
9.	2011-002-01	Muffler, 1/4"
10.	2401-504	Ball valve, 1/2" full port
11.	2302-204-50	Air filter, 1/2" 40 micron
	2302-204-99	Repair kit, 1/2" air filter
12.	2003-004	Air regulator, 1/2" relieving
	2003-004-99	Repair kit, 1/2" air regulator
13.	2304-004	Air lubricator, 1/2"
	2304-004-99	Repair kit, 1/2" air lubricator
14.	2010-007	Pressure gauge 0-100 psi
15.	1300-040-01	400 Aftercooler vessel
16.	7000-001-11	Handway crab assembly
	7000-001-06	Handway gasket, 6" x 8"
17.	3026-008-06	Bushing, 1-1/2" x 1"
18.	3006-106	90° Street elbow, 1" galv.
19.	3029-106-15	Nipple, 1" x 6" galv.
20.	2401-506	Ball valve, 1" full port
21.	4203-504-04	90° Swivel, 1/2" male x 1/2" female
22.	3031-304-04	Hex nipple, 1/2" x 1/2"
23.	4200-304-04	Push-on hose insert, 1/2" x 1/2"
24.	4101-004-01	Hose, push-on 1/2"
25.	3014-007	Plug, 1-1/4"
26.	3031-312-02	Hex nipple, 1/4" x 1/4"
27.	3010-104-02	90° Reducing elbow, 1/2" x 1/4" galv.
28.	7010-503-06	Hex bolt, 1/4" UNC x 1" lg.
	7027-502-01	Flat washer, 1/4"
	7019-503	Nylock nut, 1/4" UNC
29.	4203-504-04	90° Swivel, 1/2" male x 1/2" female
30.	3029-009-99	Nipple, 2" x close
31.	7003-009	Flange, threaded 150 psi 2"
32.	7003-009-01	Flange gasket, 2"
	7003-009-02	Stud w/ nuts, 5/8" x 3-1/4"
33.	3029-009-99	Nipple, 2" x close
34.	7003-009	Flange, threaded 150 psi 2"
35.	7003-009-01	Flange gasket, 2"
	7003-009-02	Stud w/ nuts, 5/8" x 3-1/4"
36.	3014-004	Plug, 1/2"
37.	7135-021	Motor starter, 115-230 volt
	7135-008	Motor starter, 208-460 volt
38.	4200-304-04	Push-on hose insert, 1/2" x 1/2"
	4101-004-01	Hose, push-on 1/2"
39.	4203-504-04	90° Swivel, 1/2" male x 1/2" female

### 5.3 PARTS LIST (ACS 750)

This section contains a parts breakdown covering all the major components which may require maintenance during operation of the AFTERCOOLER SYSTEM. The major items identified in the parts list are found on the drawings on page #5-7 or #5-8. Refer to these drawings as needed while reading this manual. In addition, repair kits to rebuild these items are identified, and drawings are provided to aid in disassembly and installation of new parts (if applicable).

#### AFTERCOOLER SYSTEM 750 CFM (PART NUMBER 1300-071 / 1300-072)

<u>ITEM</u>	<u>PART NUMBER</u>	<u>DESCRIPTION</u>
1.	3029-009-99	Nipple, 2" x close
2.	7003-009	Flange, threaded 150 psi 2"
3.	7003-009-01	Flange gasket, 2"
	7003-009-02	Stud w/ nuts, 5/8" x 3-1/4"
4.	1200-999-38	Moisture trap, 750 inlet
5.	3031-312-02	Hex nipple, 1/4" x 1/4"
6.	2401-502	Ball valve, 1/4" full port
7.	1300-070-02	Aftercooler radiator, 750 cfm
8.	1300-040-03	Air motor
	1300-040-99	Air motor kit
	1300-070-12	Fan Assembly
	1300-070-13	Fan guard
	1300-070-15	Fan shroud
	1300-040-09	Electric Motor, 115V/208-230V
	1300-040-11	Electric Motor, 208-230V/460V
9.	2011-002-01	Muffler, 1/4"
10.	2401-504	Ball valve, 1/2" full port
11.	2302-204-50	Air filter, 1/2" 40 micron
	2302-204-99	Repair kit, 1/2" air filter
12.	2003-004	Air regulator, 1/2" relieving
	2003-004-99	Repair kit, 1/2" air regulator
13.	2304-004	Air lubricator, 1/2"
	2304-004-99	Repair kit, 1/2" air lubricator
14.	2010-007	Pressure gauge 0-100 psi
15.	1300-070-01	750 Aftercooler vessel
16.	7000-001-11	Handway crab assembly
	7000-001-06	Handway gasket, 6" x 8"
17.	3026-008-06	Bushing, 1-1/2" x 1"
18.	3006-106	90° Street elbow, 1" galv.
19.	3029-106-15	Nipple, 1" x 6" galv.
20.	2401-506	Ball valve, 1" full port
21.	4203-504-04	90° Swivel, 1/2" male x 1/2" female
22.	3031-304-04	Hex nipple, 1/2" x 1/2"
23.	4200-304-04	Push-on hose insert, 1/2" x 1/2"
24.	4101-004-01	Hose, push-on 1/2"
25.	3014-007	Plug, 1-1/4"
26.	3031-312-02	Hex nipple, 1/4" x 1/4"
27.	3010-104-02	90° Reducing elbow, 1/2" x 1/4" galv.
28.	7010-503-06	Hex bolt, 1/4" UNC x 1" lg.
	7027-502-01	Flat washer, 1/4"
	7019-503	Nylock nut, 1/4" UNC
29.	4203-504-04	90° Swivel, 1/2" male x 1/2" female
30.	3029-009-99	Nipple, 2" x close
31.	7003-009	Flange, threaded 150 psi 2"
32.	7003-009-01	Flange gasket, 2"
	7003-009-02	Stud w/ nuts, 5/8" x 3-1/4"
33.	3029-009-99	Nipple, 2" x close
34.	7003-009	Flange, threaded 150 psi 2"
35.	7003-009-01	Flange gasket, 2"
	7003-009-02	Stud w/ nuts, 5/8" x 3-1/4"
36.	3014-004	Plug, 1/2"
37.	7135-022	Motor starter, 115-230 volt
	7135-008	Motor starter, 208-460 volt
38.	4200-304-04	Push-on hose insert, 1/2" x 1/2"
	4101-004-01	Hose, push-on 1/2"
39.	4203-504-04	90° Swivel, 1/2" male x 1/2" female

#### 5.4 PARTS LIST (ACS 950)

This section contains a parts breakdown covering all the major components which may require maintenance during operation of the AFTERCOOLER SYSTEM. The major items identified in the parts list are found on the drawings on page #5-7 or #5-8. Refer to these drawings as needed while reading this manual. In addition, repair kits to rebuild these items are identified, and drawings are provided to aid in disassembly and installation of new parts (if applicable).

#### AFTERCOOLER SYSTEM 950 CFM (PART NUMBER 1300-091 / 1300-092)

<u>ITEM</u>	<u>PART NUMBER</u>	<u>DESCRIPTION</u>
1.	3029-011-99	Nipple, 3" x close
2.	7003-011	Flange, threaded 150 psi 3"
3.	7003-011-01	Flange gasket, 3"
	7003-011-02	Stud w/ nuts, 5/8" x 3-3/4"
4.	1200-999-39	Moisture trap, 950 inlet
5.	3031-312-02	Hex nipple, 1/4" x 1/4"
6.	2401-502	Ball valve, 1/4" full port
7.	1300-090-02	Aftercooler radiator, 950 cfm
8.	1300-090-03	Air motor
	1300-090-99	Air motor kit
	1300-090-12	Fan Assembly
	1300-090-13	Fan guard
	1300-090-14	Fan mount bushing
	1300-090-15	Fan shroud
	1300-090-09	Electric Motor, 115V/208-230V
	1300-090-11	Electric Motor, 208-230V/460V
9.	2011-004-01	Muffler, 1/2"
10.	2401-504	Ball valve, 1/2" full port
11.	2302-204-50	Air filter, 1/2" 40 micron
	2302-204-99	Repair kit, 1/2" air filter
12.	2003-004	Air regulator, 1/2" relieving
	2003-004-99	Repair kit, 1/2" air regulator
13.	2304-004	Air lubricator, 1/2"
	2304-004-99	Repair kit, 1/2" air lubricator
14.	2010-007	Pressure gauge 0-100 psi
15.	1300-090-01	950 Aftercooler vessel
16.	7000-001-11	Handway crab assembly
	7000-001-06	Handway gasket, 6" x 8"
17.	3029-008-99	Nipple, 1-1/2" x close
18.	3010-008-06	90° Reducing elbow, 1-1/2" x 1"
19.	3029-106-21	Nipple, 1" x 12" galv.
20.	2401-506	Ball valve, 1" full port
21.	4203-504-04	90° Swivel, 1/2" male x 1/2" female
22.	3031-304-04	Hex nipple, 1/2" x 1/2"
23.	4200-304-04	Push-on hose insert, 1/2" x 1/2"
24.	4101-004-01	Hose, push-on 1/2"
25.	3014-007	Plug, 1-1/4"
26.	N/A	N/A
27.	4203-504-04	90° Swivel, 1/2" male x 1/2" female
28.	7010-503-06	Hex bolt, 1/4" UNC x 1" lg.
	7027-502-01	Flat washer, 1/4"
	7019-503	Nylock nut, 1/4" UNC
29.	4203-504-04	90° Swivel, 1/2" male x 1/2" female
30.	3029-011-99	Nipple, 3" x close
31.	7003-011	Flange, threaded 150 psi 3"
32.	7003-011-01	Flange gasket, 3"
	7003-011-02	Stud w/ nuts, 5/8" x 3-3/4"
33.	3029-011-99	Nipple, 3" x close
34.	7003-011	Flange, threaded 150 psi 3"
35.	7003-011-01	Flange gasket, 3"
	7003-011-02	Stud w/ nuts, 5/8" x 3-3/4"
36.	3014-004	Plug, 1/2"
37.	7135-022	Motor starter, 115-230 volt
	7135-008	Motor starter, 208-460 volt
38.	4200-304-04	Push-on hose insert, 1/2" x 1/2"
	4101-004-01	Hose, push-on 1/2"
39.	4203-504-04	90° Swivel, 1/2" male x 1/2" female

## 5.5 PARTS LIST (ACS 1200)

This section contains a parts breakdown covering all the major components which may require maintenance during operation of the AFTERCOOLER SYSTEM. The major items identified in the parts list are found on the drawings on page #5-7 or #5-8. Refer to these drawings as needed while reading this manual. In addition, repair kits to rebuild these items are identified, and drawings are provided to aid in disassembly and installation of new parts (if applicable).

### AFTERCOOLER SYSTEM 1200 CFM (PART NUMBER 1300-121 / 1300-122)

<u>ITEM</u>	<u>PART NUMBER</u>	<u>DESCRIPTION</u>
1.	3029-011-99	Nipple, 3" x close
2.	7003-011	Flange, threaded 150 psi 3"
3.	7003-011-01	Flange gasket, 3"
	7003-011-02	Stud w/ nuts, 5/8" x 3-3/4"
4.	1200-999-39	Moisture trap, 1200 inlet
5.	3031-312-02	Hex nipple, 1/4" x 1/4"
6.	2401-502	Ball valve, 1/4" full port
7.	1300-120-02	Aftercooler radiator, 1200 cfm
8.	1300-120-03	Air motor
	1300-120-99	Air motor kit
	1300-120-12	Fan Assembly
	1300-120-13	Fan guard
	1300-120-14	Fan mount bushing
	1300-120-15	Fan shroud
	1300-120-08	Electric Motor, 230V
	1300-120-11	Electric Motor, 208-230V/460V
9.	2011-004-01	Muffler, 1/2"
10.	2401-504	Ball valve, 1/2" full port
11.	2302-204-50	Air filter, 1/2" 40 micron
	2302-204-99	Repair kit, 1/2" air filter
12.	2003-004	Air regulator, 1/2" relieving
	2003-004-99	Repair kit, 1/2" air regulator
13.	2304-004	Air lubricator, 1/2"
	2304-004-99	Repair kit, 1/2" air lubricator
14.	2010-007	Pressure gauge 0-100 psi
15.	1300-120-01	1200 Aftercooler vessel
16.	7000-001-11	Handway crab assembly
	7000-001-06	Handway gasket, 6" x 8"
17.	3029-008-99	Nipple, 1-1/2" x close
18.	3010-008-06	90° Reducing elbow, 1-1/2" x 1"
19.	3029-106-21	Nipple, 1" x 12" galv.
20.	2401-506	Ball valve, 1" full port
21.	4203-504-04	90° Swivel, 1/2" male x 1/2" female
22.	3031-304-04	Hex nipple, 1/2" x 1/2"
23.	4200-304-04	Push-on hose insert, 1/2" x 1/2"
24.	4101-004-01	Hose, push-on 1/2"
25.	3014-007	Plug, 1-1/4"
26.	N/A	N/A
27.	4203-504-04	90° Swivel, 1/2" male x 1/2" female
28.	7010-503-06	Hex bolt, 1/4" UNC x 1" lg.
	7027-502-01	Flat washer, 1/4"
	7019-503	Nylock nut, 1/4" UNC
29.	4203-504-04	90° Swivel, 1/2" male x 1/2" female
30.	3029-011-99	Nipple, 3" x close
31.	7003-011	Flange, threaded 150 psi 3"
32.	7003-011-01	Flange gasket, 3"
	7003-011-02	Stud w/ nuts, 5/8" x 3-3/4"
33.	3029-011-99	Nipple, 3" x close
34.	7003-011	Flange, threaded 150 psi 3"
35.	7003-011-01	Flange gasket, 3"
	7003-011-02	Stud w/ nuts, 5/8" x 3-3/4"
36.	3014-004	Plug, 1/2"
37.	7135-023	Motor starter, 115-230 volt
	7135-008	Motor starter, 208-460 volt
38.	4200-304-04	Push-on hose insert, 1/2" x 1/2"
	4101-004-01	Hose, push-on 1/2"
39.	4203-504-04	90° Swivel, 1/2" male x 1/2" female

## 5.6 PARTS LIST (ACS 1600)

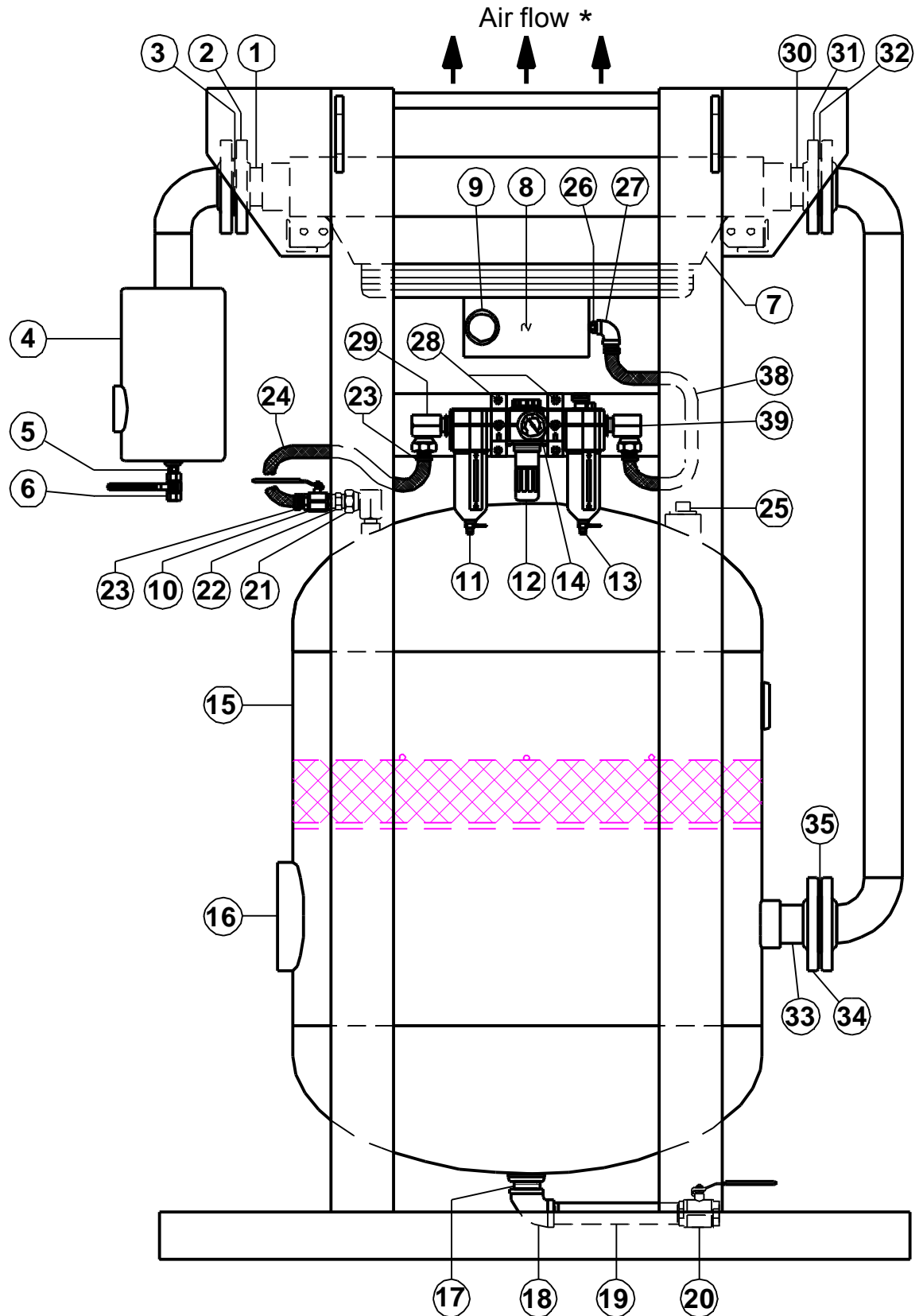
This section contains a parts breakdown covering all the major components which may require maintenance during operation of the AFTERCOOLER SYSTEM. The major items identified in the parts list are found on the drawings on page #5-7 or #5-8. Refer to these drawings as needed while reading this manual. In addition, repair kits to rebuild these items are identified, and drawings are provided to aid in disassembly and installation of new parts (if applicable).

### AFTERCOOLER SYSTEM 1600 CFM (PART NUMBER 1300-161 / 1300-162)

<u>ITEM</u>	<u>PART NUMBER</u>	<u>DESCRIPTION</u>
1.	3029-011-99	Nipple, 3" x close
2.	7003-011	Flange, threaded 150 psi 3"
3.	7003-011-01	Flange gasket, 3"
	7003-011-02	Stud w/ nuts, 5/8" x 3-3/4"
4.	1200-999-43	Moisture trap, 1600 inlet
5.	3026-008-02	Bushing, 1-1/2" x 1/4"
	3031-312-02	Hex nipple, 1/4" x 1/4"
6.	2401-502	Ball valve, 1/4" full port
7.	1300-160-02	Aftercooler radiator, 1600 cfm
8.	1300-160-03	Air motor
	1300-160-99	Air motor kit
	1300-160-12	Fan Assembly
	1300-160-13	Fan guard
	1300-160-14	Fan mount bushing
	1300-160-15	Fan shroud
	1300-160-11	Electric Motor, 208-230V/460V
9.	2011-006-01	Muffler, 1"
10.	2401-507	Ball valve, 1-1/4" full port
11.	2302-207-50	Air filter, 1-1/4" 40 micron
	2302-207-99	Repair kit, 1-1/4" air filter
12.	2003-007	Air regulator, 1-1/4" relieving
	2003-007-99	Repair kit, 1-1/4" air regulator
13.	2304-007	Air lubricator, 1-1/4"
	2304-007-99	Repair kit, 1-1/4" air lubricator
14.	2010-007	Pressure gauge 0-100 psi
15.	1300-160-01	1600 Aftercooler vessel
16.	7000-001-11	Handway crab assembly
	7000-001-06	Handway gasket, 6" x 8"
17.	3029-008-99	Nipple, 1-1/2" x close
18.	3010-008-06	90° Reducing elbow, 1-1/2" x 1"
19.	3029-106-21	Nipple, 1" x 1/2" galv.
20.	2401-506	Ball valve, 1" full port
21.	3029-007-99	Nipple, 1-1/4" x close
	3000-106	90° Elbow, 1-1/4" galv.
22.	3029-007-99	Nipple, 1-1/4" x close
23.	4205-107	Hose insert, swivel 1-1/4"
	4205-107-99	Hose swivel gasket, 1-1/4"
	4228-509	Hose clamp, 1-1/4"
	3029-007-99	Nipple, 1-1/4" x close
24.	4102-007	Air hose, 1-1/4"
25.	3014-007	Plug, 1-1/4"
26.	3029-006-99	Nipple, 1" x close
27.	---	---
28.	7025-503-07	U-bolt, 1/4" UNC x 1-1/4" dia.
	7027-502-01	Flat washer, 1/4"
	7019-503	Nylock nut, 1/4" UNC
29.	3006-107	90° Street elbow, 1-1/4" galv.
	3029-007-99	Nipple TBE, 1-1/4" x close
	3000-107	90° Elbow, 1-1/4" galv.
30.	3029-011-99	Nipple, 3" x close
31.	7003-011	Flange, threaded 150 psi 3"
32.	7003-011-01	Flange gasket, 3"
	7003-011-02	Stud w/ nuts, 5/8" x 3-3/4"
33.	3029-011-99	Nipple, 3" x close
34.	7003-011	Flange, threaded 150 psi 3"
35.	7003-011-01	Flange gasket, 3"
	7003-011-02	Stud w/ nuts, 5/8" x 3-3/4"
36.	3014-006	Plug, 1"
37.	7135-008	Motor starter, 208-460 volt
38.	4205-106	Hose insert, swivel 1"
	4205-106-99	Hose swivel gasket, 1"
	4228-508	Hose clamp, 1"
	4102-006	Air Hose, 1"
39.	3006-106	90° Street elbow, 1"
	3029-006-99	Nipple TBE, 1" x close
	3010-007-06	90° Reducing elbow, 1-1/4" x 1"
	3029-007-99	Nipple TBE, 1-1/4" x close

# AFTERCooler SYSTEM (WITH AIR MOTOR)

(drawing may vary from unit depending on size)

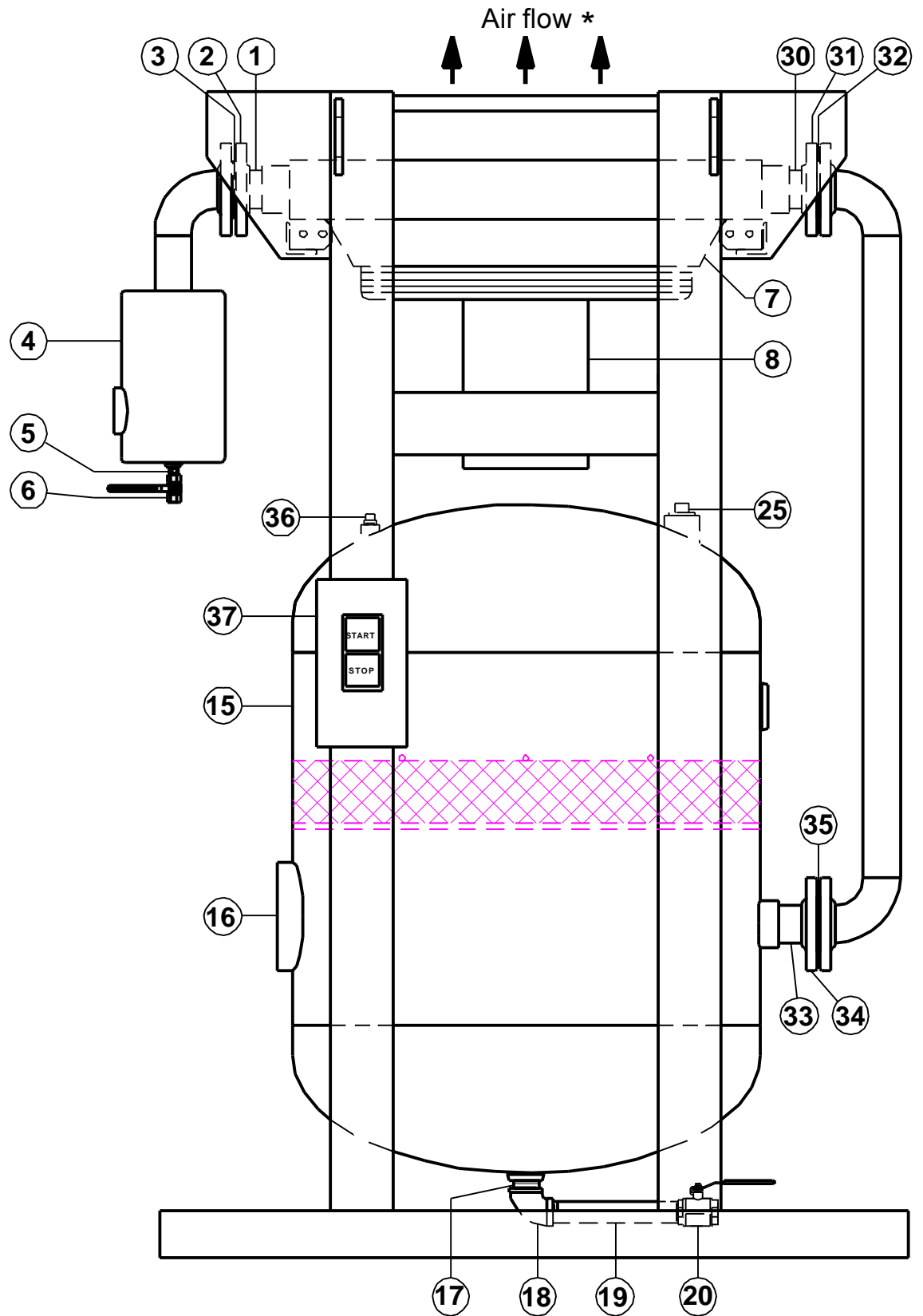


\*Air flow on 250 cfm units is downward.

# AFTERCooler SYSTEM

(WITH ELECTRIC MOTOR)

(drawing may vary from unit depending on size)



\*Air flow on 250 cfm units is downward.