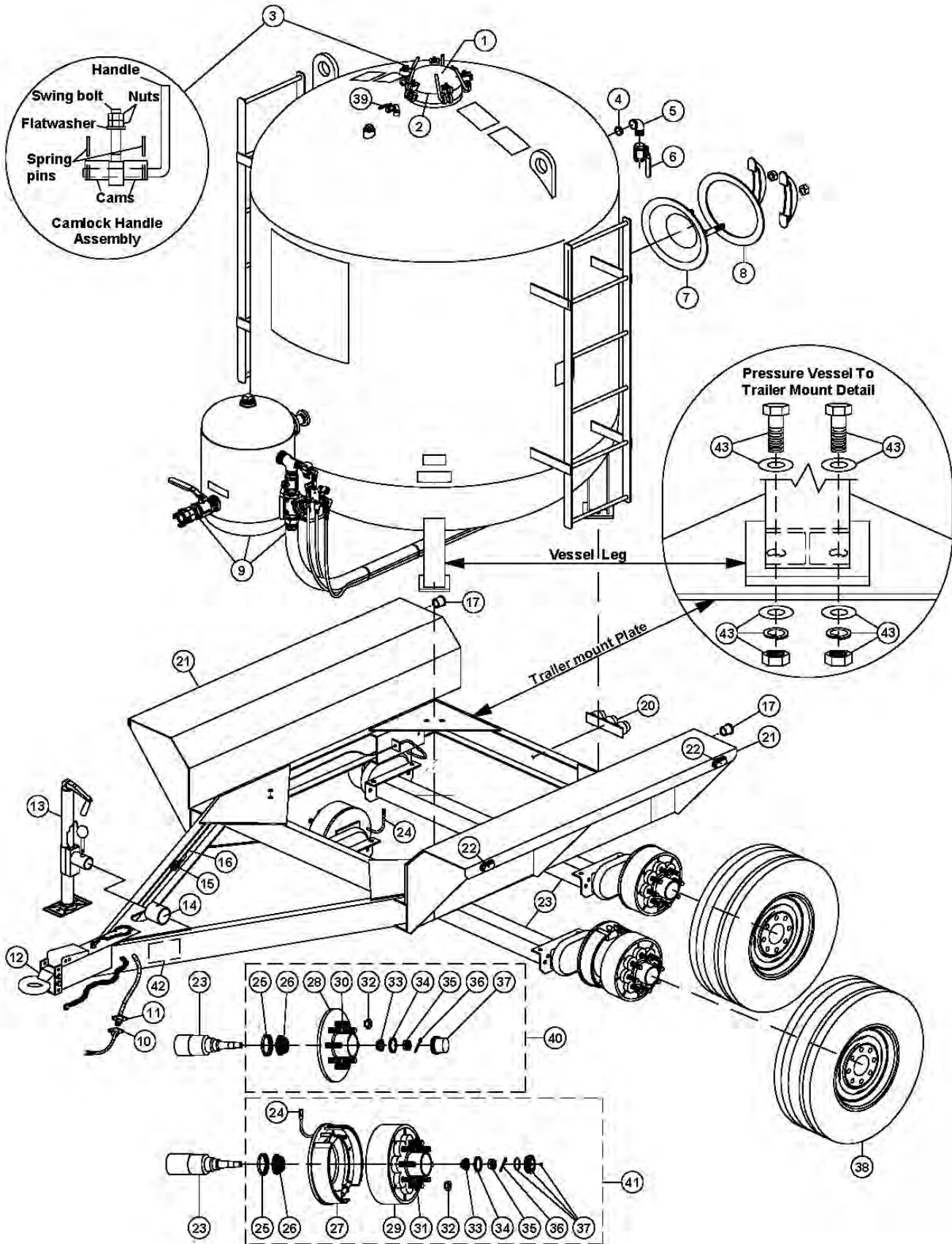


9.3(a) Vessel and Trailer Assembly



9.3(b) Vessel and Trailer Parts List

No.	Part No.	Description
1.	7007-519	Closure Assembly, 10" 5-Lug
2.	7007-519-03	Closure O-Ring, 10"
3.	7007-519-02	Camlock Handle Assy. (5 lug closure)
	7007-319-02	Camlock Handle Assy. (3-4 lug closure)
4.	3029-007-99	Nipple, 1 1/4" x close
5.	3006-007	90° Street Elbow, 1 1/4"
6.	2401-507	Ball Valve, 1 1/4"
7.	7000-004-07	Manway Crab Assembly, 12" x 16"
8.	7000-004-06	Manway Gasket, 12" x 16"
9.	Section 9.1	Pneumatic Control System
	Section 9.2	Electric Control System
10.	7052-001	Trailer Connector, female
11.	7052-002	Trailer Connector, male
12.	7139-010	Trailer Tongue
	7042-000	Hydraulic Actuator (Hydraulic Brakes Only)
13.	7050-001	Swivel Jack with foot
14.	7050-002	Jack Adapter (weld on)
15.	2405-804	Brake Shut Off Valve (Hydraulic Brakes Only)
16.	7042-001	Steel Brake Line Kit (Hydraulic Brakes Only)
17.	7051-120	Red Taillight
	7051-130	Red Taillight for license plate
20.	7051-110	3 Red Light Bar
21.	7139-120-04	Fender for 12,000 lb. trailer (specify left or right)
	7139-160-04	Fender for 16,000 lb. trailer (specify left or right)
22.	7051-100	Red Clearance Light
	7051-101	Amber Clearance Light
23.	7040-106	Rigid Axle (axle only) for 12,000 lb. trailer
	7040-108	Rigid Axle (axle only) for 16,000 lb. trailer
	7040-206	Torsion Suspension Axle (axle only) for 12,000 lb. trailer
	7040-208	Torsion Suspension Axle (axle only) for 16,000 lb. trailer
24.	4114-002	Brake Hose for 12,000 lb. or 16,000 lb. trailer (Hydraulic Brakes Only)
25.	7045-106-10	Grease Seal for 12,000 lb. or 16,000 lb. trailer
26.	7045-106-09	Inner Bearing for 12,000 lb. or 16,000 lb. trailer
27.	7042-260	Hydraulic Right Brake Assembly for 12,000 lb. trailer
	7042-261	Hydraulic Left Brake Assembly for 12,000 lb. trailer
	7042-270	Electric Right Brake Assembly for 12,000 lb. trailer
	7042-271	Electric Left Brake Assembly for 12,000 lb. trailer
	7042-280	Hydraulic Right Brake Assembly for 16,000 lb. trailer
	7042-281	Hydraulic Left Brake Assembly for 16,000 lb. trailer
	7042-290	Electric Right Brake Assembly for 16,000 lb. trailer
	7042-291	Electric Left Brake Assembly for 16,000 lb. trailer
28.	7041-106-12	Hub for 12,000 lb. yard trailer (6 lugs)
	7041-108-12	Hub for 16,000 lb. yard trailer (8 lugs)
29.	7045-106-12	Hub and Drum for 12,000 lb. highway trailer (6 lugs)
	7045-108-12	Hub and Drum for 16,000 lb. highway trailer (8 lugs)
30.	7045-106-04	Lug Stud for 12,000 lb. yard trailer
	7045-108-04	Lug Stud for 16,000 lb. yard trailer
31.	7045-106-05	Lug Stud for 12,000 lb. highway trailer
	7045-108-05	Lug Stud for 16,000 lb. highway trailer
32.	7045-106-03	Lug Nut for 12,000 lb. trailer
	7045-108-03	Lug Nut for 16,000 lb. trailer
33.	7045-106-08	Outer Bearing for 12,000 lb. trailer
	7045-108-08	Outer Bearing for 16,000 lb. trailer
34.	7045-106-07	Spindle Washer for 12,000 lb. or 16,000 lb. trailer
35.	7045-106-06	Spindle Nut for 12,000 lb. or 16,000 lb. trailer
36.	7119-001	Cotter Pin
37.	7045-106-02	Push on Dust Cap for 12,000 lb. trailer
	7045-108-01	Screw on Dust Cap with O-Ring and plug for 16,000 lb. trailer
38.	7046-106	Tire and Wheel for 12,000 lb. trailer (6 lugs)
	7046-208	Tire and Wheel for 16,000 lb. trailer (8 lugs)
	7043-106	Wheel for 12,000 lb. trailer (6 lugs) 16.5 x 6.75
	7043-108	Wheel for 16,000 lb. trailer (8 lugs) 16.5 x 9.75
	7044-100	Tire for 12,000 lb. trailer, Load Range "E" 9.5" x 16.5LT (max 65mph)
	7044-200	Tire for 16,000 lb. trailer, Load Range "F" 12" x 16.5LT (max 65mph)
39.	2405-804	Ball Valve, 1/2" 2000#
40.	7041-106	Hub Assembly, 6K# (6-Lug) Yard Trailer
	7041-108	Hub Assembly, 8K# (8-Lug) Yard Trailer
41.	7045-106	Hub & Drum Assembly (Hydraulic), 6K# (6-Lug) Highway Trailer
	7045-108	Hub & Drum Assembly (Hydraulic), 8K# (8-Lug) Highway Trailer
	7045-110	Hub & Drum Assembly (Electric), 6K# (6-Lug) Highway Trailer
	7045-109	Hub & Drum Assembly (Electric), 8K# (8-Lug) Highway Trailer
42.	7139-483-02	Axle Break-Away Kit (Electric Brakes Only)
43.	7010-519-08	Bolt, 3/4" NC x 2-1/2" (SAE Grade 5, zinc plated)
	7027-505-01	Flat washer, 3/4" (SAE Grade 5, zinc plated)
	7028-505	Lock washer, 3/4" (SAE Grade 5, zinc plated)
	7017-519	Hex nut, 3/4" (SAE Grade 5, zinc plated)