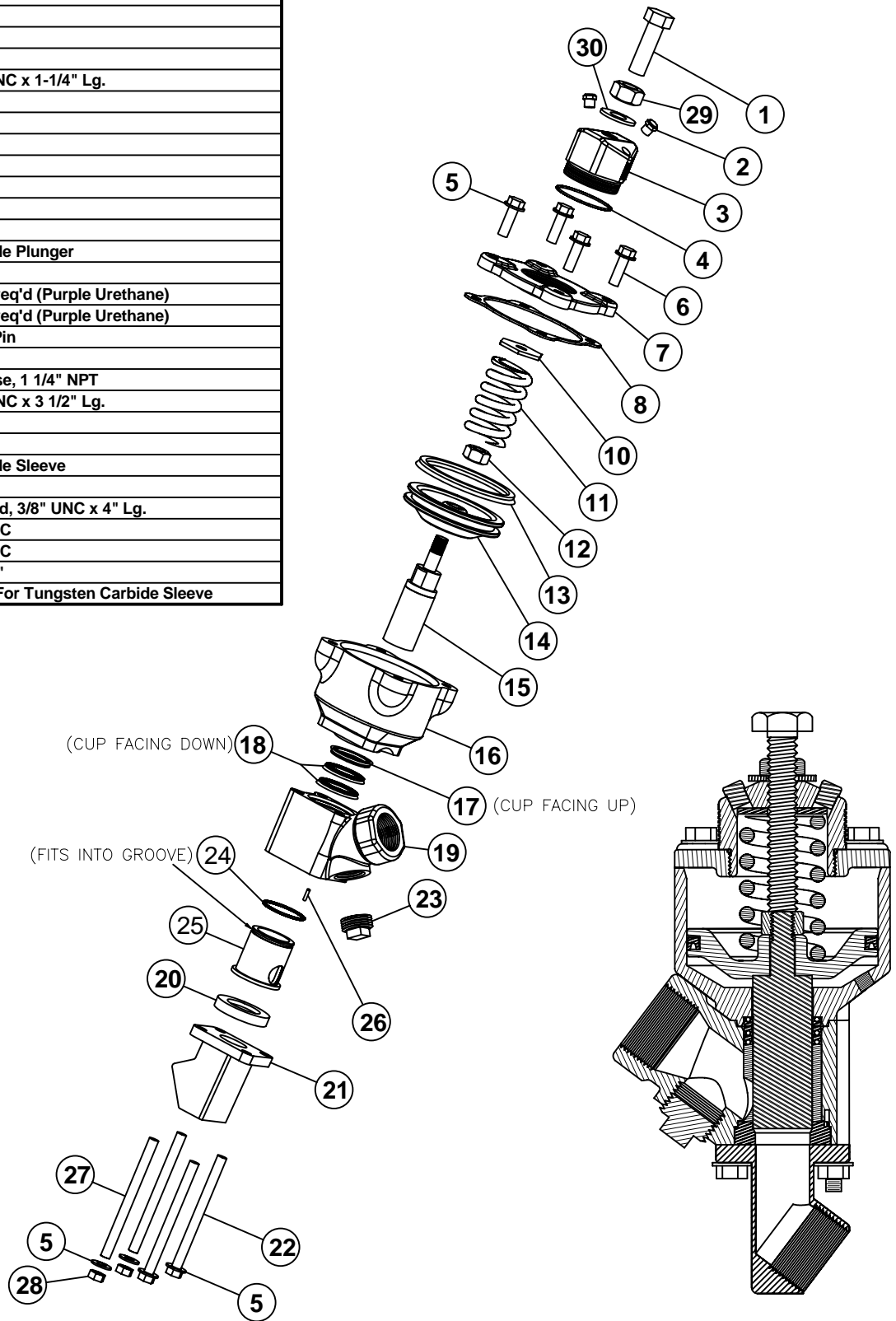


No.	Part No.	Description
	2152-000-99	Replacement Part Kit With Tungsten Carbide Sleeve
1.	7010-515-12	Hex Bolt, 5/8" UNC x 3 1/2" Lg.
2.	2152-000-17	Breather Vent
3.	2152-000-12	Spring Retainer
4.*	2152-000-18	O-Ring
5.	7027-503-02	Washer
6.	7010-507-07	Hex Bolt, 3/8" UNC x 1-1/4" Lg.
7.	2152-000-02	Cap Plate
8.*	2152-000-16	Cap Gasket
10.	2152-000-25	Vibration Disc
11.	2152-000-03	Spring
12.	2149-000-08	Nut
13.	2149-000-04	Piston Seal
14.*	2152-000-05	Piston
15.	2152-000-07	Tungsten Carbide Plunger
16.*	2152-000-09	Cylinder
17.	2152-000-06	Plunger Seal, 1-req'd (Purple Urethane)
18.*	2152-000-06	Plunger Seal, 2-req'd (Purple Urethane)
19.*	2152-000-14	Body w/Sleeve Pin
20.	2152-000-10	Seat
21.*	2152-307-15	Direct Down Base, 1 1/4" NPT
22.	7010-507-12	Hex Bolt, 3/8" UNC x 3 1/2" Lg.
23.	3014-506	Plug
24.	2152-000-21	O-Ring
25.*	2152-000-13	Tungsten Carbide Sleeve
26.*	2149-000-16	Sleeve Pin
27.	2152-307-22	Direct Down Stud, 3/8" UNC x 4" Lg.
28.	7017-507	Hex Nut, 3/8" UNC
29.	7017-515	Hex Nut, 5/8" UNC
30.	7027-552-02	Flat Washer, 5/8"

\* Included In Replacement Part Kit For Tungsten Carbide Sleeve



PROPRIETARY INFORMATION

DESIGN INFORMATION CONTAINED HEREIN IS PROPRIETARY AND CONFIDENTIAL AND THE EXCLUSIVE PROPERTY OF AXIOM MANUFACTURING, INC. NO PORTION OF ANY DESIGN INFORMATION CONTAINED HEREIN MAY BE USED BY, OR DISCLOSED TO UNAUTHORIZED PERSONNEL WITHOUT THE EXPRESSED WRITTEN CONSENT OF AXIOM MANUFACTURING, INC.

AXIOM MFG IS THE EXCLUSIVE MANUFACTURER OF SCHMIDT® PRODUCTS

# AXIOM MANUFACTURING, INC.

SCALE: N.T.S.

APPROVED

DRAWN BY: JH

DATE: 7/23/03

BY:

REVISED

1 1/4" THOMPSON VALVE II DIRECT DOWN WITH TUNGSTEN CARBIDE SLEEVE

REV	DESCRIPTION	DATE	BY
B	ITEM 17 WAS 2149-500-06	11/15/07	JH
A	DELETED BUMP RING, REFER TO ECR S-0040	12/22/05	JH

PART NUMBER:

2152-307

DRAWING NUMBER:

2152-307